

MP-30

Entry Terminal

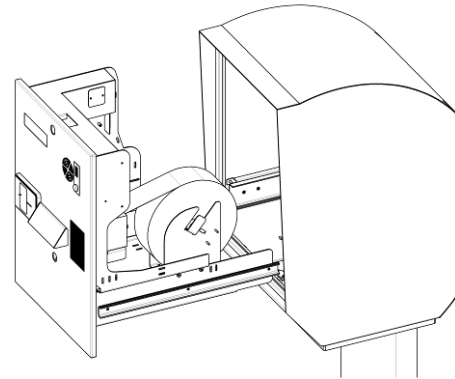


The fast ticket issuing of the MP-30 makes it a good choice for high traffic applications. With a few commands you can change the ticket issuing on demand to automatic issuing. If a ticket is not retrieved in time the ticket is retracted. Upon the next ticket request the automatic cycle is restarted.

As always T.I.B.A.'s designers succeeded to create a user friendly and esthetically pleasing device. Not just does it support trouble free operations by your clients it also adds value to your facility.

The MP-30 has - as most T.I.B.A. devices - a built-in loop detector and intercom which are topping off this well engineered and designed machine.

The interior is mounted on sliding tracks which makes maintenance a breeze. Changing ticket paper is as easy as changing paper at your printer in your office – if not easier.

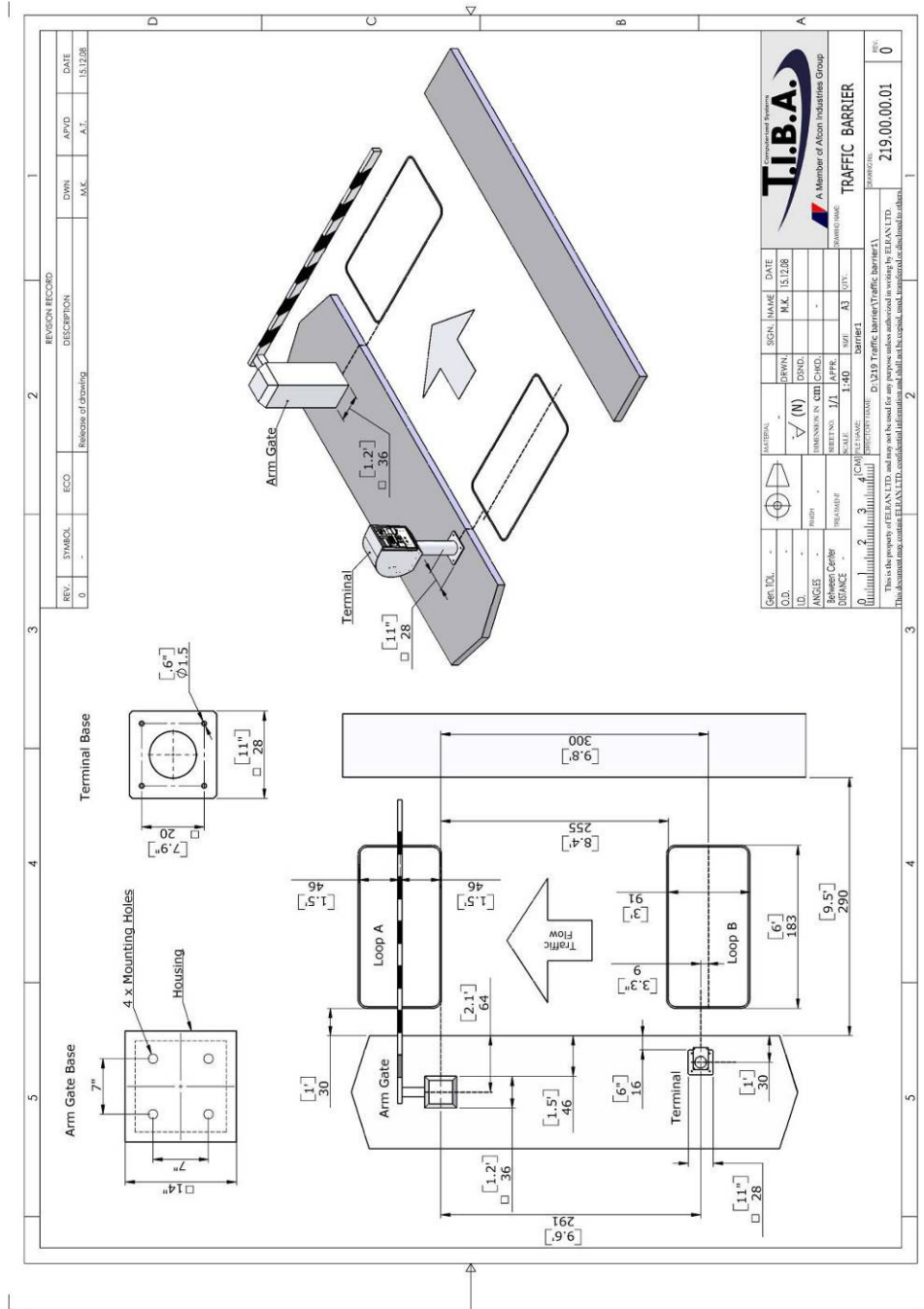


Standard:

- Built-In intercom sub-station with call button
- Stainless Steel housing
- Built-In loop detector
- Heavy duty thermal printer with ticket retraction
- 2X16 backlit LCD display
- Proximity reader for monthly parkers
- Dataline surge protector

Optional:

- *Digital Intercom*
- *Magnetic Card reader*



REV.	SYMBOL	ECO	REVISION RECORD	DATE
0	-	-	Release of Drawing	15.12.08

REV.	SYMBOL	ECO	DESCRIPTION	DATE
0	-	-	Release of Drawing	15.12.08

REV.	SYMBOL	ECO	DESCRIPTION	DATE
0	-	-	Release of Drawing	15.12.08

REV.	SYMBOL	ECO	DESCRIPTION	DATE
0	-	-	Release of Drawing	15.12.08

REV.	SYMBOL	ECO	DESCRIPTION	DATE
0	-	-	Release of Drawing	15.12.08

REV.	SYMBOL	ECO	DESCRIPTION	DATE
0	-	-	Release of Drawing	15.12.08

REV.	SYMBOL	ECO	DESCRIPTION	DATE
0	-	-	Release of Drawing	15.12.08

REV.	SYMBOL	ECO	DESCRIPTION	DATE
0	-	-	Release of Drawing	15.12.08

REV.	SYMBOL	ECO	DESCRIPTION	DATE
0	-	-	Release of Drawing	15.12.08

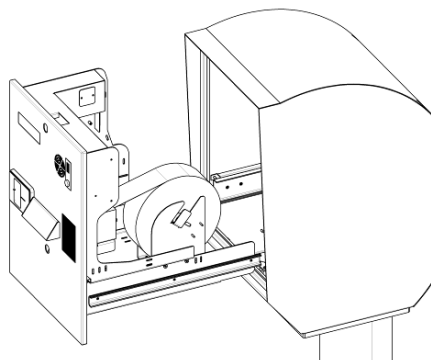
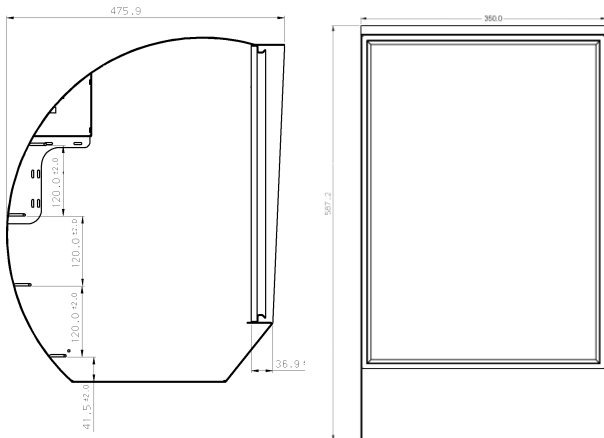
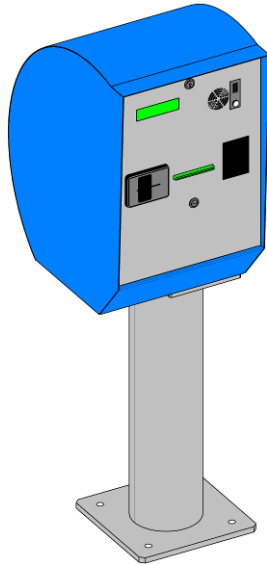
REV.	SYMBOL	ECO	DESCRIPTION	DATE
0	-	-	Release of Drawing	15.12.08

Gen. ID.	-	SYMBOL	-	DATE	15.12.08
Drawn	M.K.	Checked	-	Scale	1:40
Project	03	Sheet No.	1/1	Sheet Total	1/1
Client	AFCON INDUSTRIES GROUP	Project Name	TRAFFIC BARRIER		
Project No.	03	Project Name	TRAFFIC BARRIER		
Project Location	This is the property of T.I.B.A. and may not be used for any purpose unless authorized in writing by T.I.B.A. LTD.				
Project Description	This document contains confidential information and shall not be copied, used, employed or disclosed in other.				
Project Value	219,000.00.01				
Project No.	0				

ENTRY TERMINAL

MP-30 TICKET DISPENSER

SPECIFICATIONS



Features

Ticket issuing	Fast, on-the-fly barcode printing via heavy duty thermal printer.
Monthlies/Employees	Access via proximity card, magnetic stripe cards, AVI or key-pad
Ticket Retraction	Standard.
Loop detector	Standard.
Customer display	Standard.
Intercom Substation	Standard. Digital or TCP/IP intercom are optional.
Heater	Standard.
Data-Line surge protection	Standard.
Pay on entry	Optional.
Lot Full sign	Optional.
Hotel or Congress ticket	Optional.

Operation

Processor	Embedded industrial controller
Communication & network	RS-485 industrial communication or TCP/IP network communication.
Clock	Build in, backed up by li-on battery. keeps clock a data up to 10 years.
Off-Line operation	Full off-line mode enabled.
Monitoring	Transaction and all events monitored on TMS software in real time

Housing – stainless steel

Measurements	350mm/13 3/4" (L) x 476mm/14 3/4" (W) x 587mm/23 1/8" (H)
Weight	35 kg/77 lbs.
Color	Housing Blue-RAL 5012
Locks	Device lock.

Electrical

Power consumption	240 W. With Heater 300W.
Power supply	100-240 VAC / 50-60 HZ
Operating voltage	24 VDC

Environment conditions

Operating Temperature	-20 to 50 deg. C/-4 to 122 deg F. with Heater
IP Rating	54