

SW-30

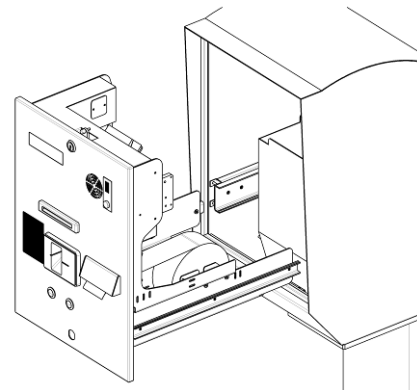
Exit Verifier

The elegant design of the SW-30 blends into any facility. Its user-friendly design support easy and trouble free operation by your patrons. The built-in loop detector and intercom are topping off this well engineered and designed machine.

The available options are making this device even more useful. A built-in proximity card reader eliminates the need for an external reader mounted on a goose neck. With a coupon reader you have the option of two types of validations: Stickers on the ticket as well as coupons.

For Pay at Exit applications we offer a credit card reader with a receipt printer. This gives you the option to collect fees after hours (exit cashiered system) or when the grace time was exceeded (central cashiered or POF system). Tickets are swallowed for auditing.

Maintaining the SW-30 is a breeze. After unlocking the front lock, the interior slides out and all components can be easily reached.



Standard:

- Built-In intercom sub-station with call button
- Stainless Steel housing
- Built-In loop detector
- Motorized Barcode reader to read and swallow tickets
- 2X16 backlit LCD display
- Proximity reader for monthly parkers
- Magnetic Card reader to accept credit and debit cards (additional software, communication line and bank account are needed)
- Receipt printer
- Dateline surge protection.

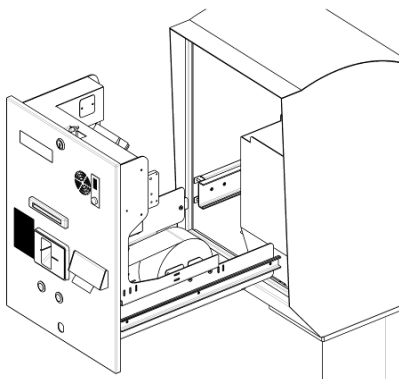
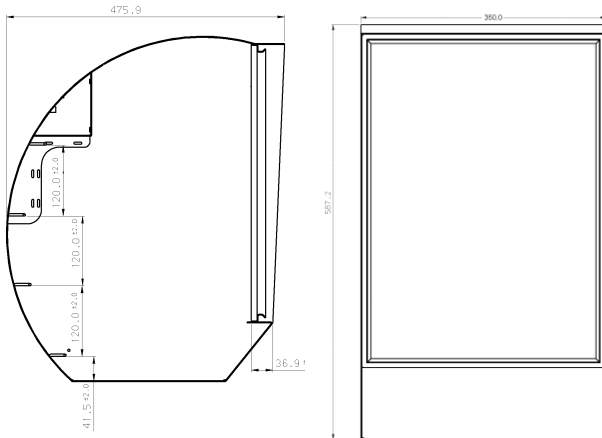
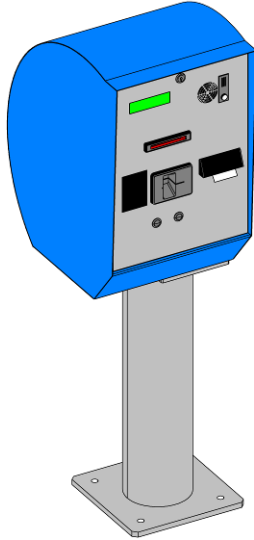
Optional:

- *Digital Intercom*
- *Voucher Reader*

EXIT TERMINAL

SW-30 TICKET VERIFIER

SPECIFICATIONS



Features

Ticket verifier	Motorized barcode scanner.
Monthlies/Employees	Access via proximity card, magnetic stripe cards, AVI or key-pad
Credit Card reader	Standard.
Receipt printer	Standard.
Loop detector	Standard.
Customer display	Standard. 2 lines, 16 characters.
Intercom	Build in intercom. Digital or TCP/IP intercom are supported.
Surge protection	Build in Data-line surge protector
Hotel or Congress ticket	Optional

Operation

Processor	Based on embedded controller
Communication & network	RS-485 industrial communication or TCP/IP network communication.
Clock	Build in, backed up by li-on battery. keeps clock a data up to 10 years.
Off-Line operation	Full off-line mode enabled.
Management monitoring	Transaction and all events monitored on-line

Housing – Stainless steel

Measurements	350mm/13 3/4" (L) x 476mm/14 3/4" (W) x 587mm/23 1/8" (H)
Weight	35 kg/77 lbs.
Color	Housing Blue-RAL 5012
Locks	Two separate locks for maintenance and to empty ticket container

Electrical

Power consumption	240W. With Heater 300W.
Power supply	100-240 VAC / 50-60 HZ
Control voltage	24 VDC

Environment conditions

Operating Temperature	-20 to 50 deg. C/-4 to 122 deg F. with Heater
IP Rating	54